



- Absolute workability
- Replace only worn parts

- Quality forged material
- Effective air-flow

- Hole straightness
- Quality carbide

# CONCENTRIC OVERBURDEN SYSTEM **DURAWING560**

Drilled Hole Diameter 630 mm  
Casing Size O/D 609 mm  
I/D 584 mm

GHB Ground Engineering AG  
Schulstrasse 11  
CH-6443 Morschach

[info@ghb.swiss](mailto:info@ghb.swiss)  
[www.ghb.swiss](http://www.ghb.swiss)

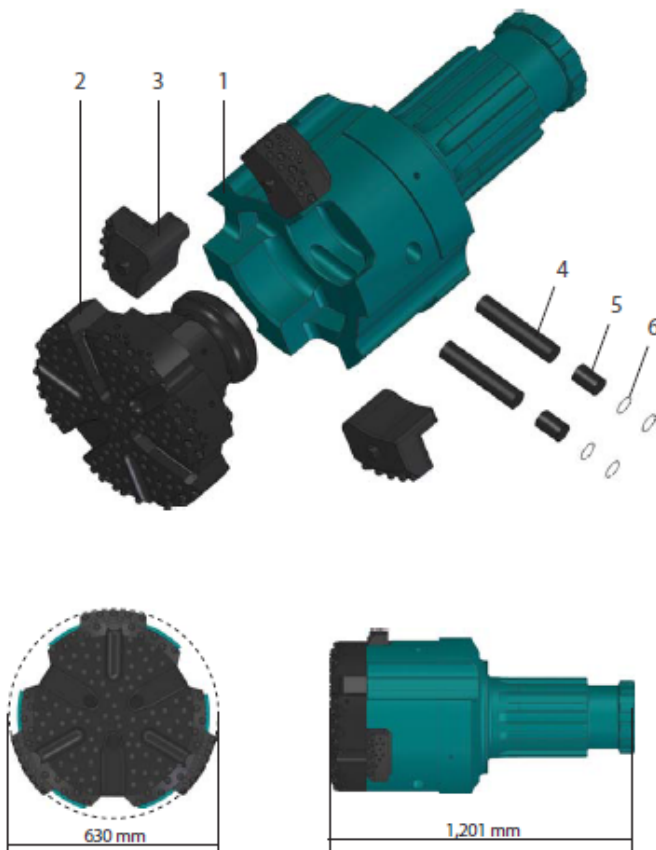
+41 (0) 41 852 01 84  
+41 (0) 41 852 01 85

## EVERDIGM DURAWING560

DURAWING560 is a concentric overburden system designed for casing of 630mm diameter hole, specialized through hard formation into bed rock.

The wing bits are enclosed on pocket area making it the most professional & efficient system in the market as it is free from clogging in loose overburden material while it go down to bedrock. When the drilling starts wing bits come out with unique cam sliding mechanism. The key feature of DURAWING560 is the self actuating wing bit system that is not related with unpredictable ground condition.

### TECHNICAL SPECIFICATION



#### PART NAME

NO.	PART NAME	EA	PART NO.
1	Guide Device (N240)	1	RT330-0023
2	Pilot Bit	1	RT330-0016
3	Wing Bit	3	RT330-0018
4	Locking Pin	2	RT330-0020
5	Spacer	2	RT330-0021
6	Snap Ring	4	TBA

#### SPECIFICATION

ITEM	SIZE
Major Body Diameter	580mm
Length	1201mm
System Open	630mm
Casing Size	609 / 584mm
Total Weight	1,150kg

#### SIZING CHART

ITEM	STATUS	SIZE
Outer Diameter	Wing Expanded	630mm
	Wing Retracted	559mm
Casing	Inner Diameter	584.2mm
	Outer Diameter	609.6mm
Hammer Type	SD 18, QL 200	